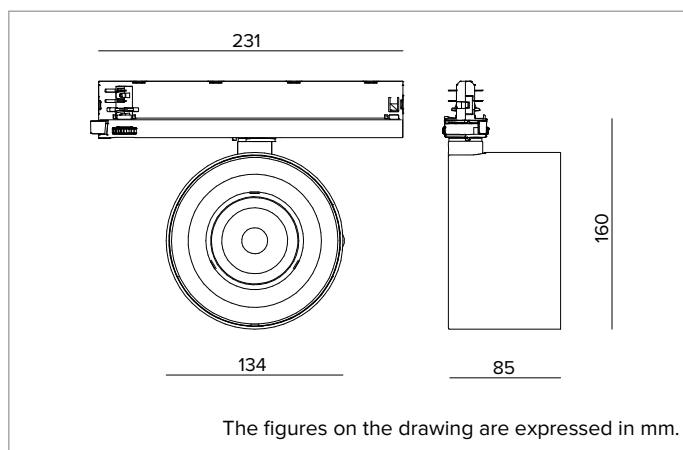


## T039WWR930CADB | ZENO 130

### Professional adjustable LED projector



|               | 3000K                       | H(m)             | D1(m)  | D2(m) | E <sub>max</sub> (lx) |      |    |
|---------------|-----------------------------|------------------|--------|-------|-----------------------|------|----|
|               | Ra90                        | 34°              | 54°    |       |                       |      |    |
| Fixture Power | 29W                         | 1                | 1.06   | 1.16  | 1538                  |      |    |
| Source Flux   | 2999lm                      | 2                | 2.11   | 2.33  | 385                   |      |    |
| Fixture Flux  | 1697lm                      | 3                | 3.17   | 3.49  | 171                   |      |    |
| Efficacy      | 58lm/W                      | 4                | 4.23   | 4.65  | 96                    |      |    |
| TS1224        | I <sub>max</sub> =745cd/klm | I <sub>max</sub> | 2235cd | 5     | 5.28                  | 5.81 | 62 |



#### SOURCE

High efficiency Chip on Board LED Ra90. Ra97 on request.

**Energy efficiency class:** D

**Nominal power:** 26W

**Nominal flux:** 2999lm

**Colour rendering index:** 90

**Rf:** 92

**Rg:** 101

**CCT nominal:** 3000K

**Lifetime (L80/B10):** >50000h tq +25°C

#### ILLUMINOTECHNICAL CHARACTERISTICS

Wall Washer version with a highly reflective pre-anodised specular aluminium optic, a PMMA holographic screen and a black polymer covering element.

**Optic:** WALL WASHER

**Beam angles:** WW

**Optical efficiency:** 57%

**Fixture flux:** 1697lm

**Luminous efficacy:** 58lm/W

**Photobiological safety:** Compliant with RG1 low risk group

#### MECHANICAL CHARACTERISTICS

Die-cast painted aluminium optical unit. The optical unit can be adjusted from 0 to -90° on the vertical plane; and 355° on the horizontal plane with aiming blocking system.

**Colour and finish:** Deep black

**Weight:** 0.85Kg

**Degree of protection:** IP20

#### ELECTRICAL CHARACTERISTICS

CASAMBI electronic driver integrated into the track adapter.

**Fixture Power:** 29W

**Power supply:** 220-240Vac 50/60Hz

**Insulation Class:** CLASS 2

**Type of driver / Control:** CASAMBI

**Driver included:** YES

**Class F:** YES

**SAFE FLICKER:** PstLM=<1 and SVM=<0.4 (IEC TR 61547-1 and IEC TR 63158), to ensure a more comfortable and safe light

**Ambient temperature:** 0°C / +25°C

#### INSTALLATION

Electrified track mounting. Mechanical and optic accessories available, to be installed with holder ring (necessary).

#### NOTES

110-277Vac version available on request. Commissioning of the control system via free APP; the intervention of a specialist technician can be quoted on request.

#### WARRANTY

5 years.

#### WARNING

Luminaire designed for disposal/recycling at end-of-life. Replaceable (LED only) light source by a professional. Replaceable control gear by a professional.

*Due to the technological evolution of the electronic components, the data provided may be updated, and as such, confirmation must be requested during the order process.*

*Luminous flux and power supply have +/-10% tolerances with respect to the indicated value. tq +25°C (CIE 121).*

*We reserve the right to make technical changes.*

Targetti Sankey S.r.l.  
Via Pratese, 164  
50145 Firenze - Italy  
Tel: +39 055 37911  
targetti.com  
targetti@targetti.com

CCIAA Firenze  
Share Capital:  
€ 500.000,00  
VAT N. (IT):  
01537660480  
R.E.A.: FI-275656

**TARGETTI**